

NV350
URVAN
AMBULANCE

Basic Info

Model name: NISSAN NV350 URVAN AMBULANCE
 Type: VAN
 NARROW, S-LONG BODY,
 HIGH ROOF, 4 DOORS
 Grade: DX
 Model code: LDB4LDR E26 EW3 -CJBE (LHD) 424



Engine

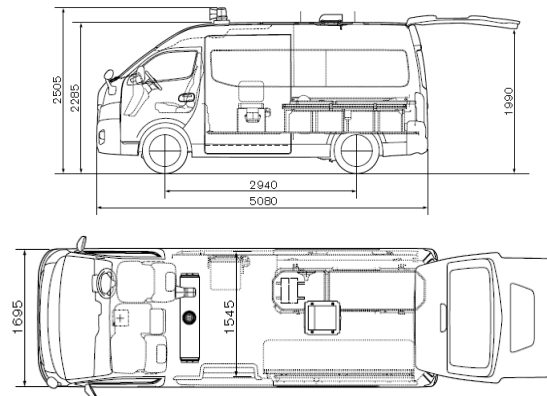
Engine code: QR25
 Displacement: 2,488 cc
 Fuel: Petrol
 Max power: 108 kW at 5,600 rpm
 Max torque: 213 Nm at 4,400 rpm

Load and Dimensions

Fuel tank capacity: 65 liter
 Seating capacity: 1 patient & 8 passenger
 Overall length (OL): 5,080 mm
 Overall width (OW): 1,695 mm
 Overall height (OH): 2,505 mm *
 Wheelbase (WB): 2,940 mm
 Min. ground clearance: 170 mm
 Shipment volume: 21.6 M3
 Curb weight: 1,890 kg
 Gross Vehicle Weight: 3,200 kg

* Includes the height for Rotary Beacon LED Lamp.

<Overview>



Standard Vehicle Spec

Visibility

Door mirror, manual folding & adjust, black
 Wiper, front: 2-speed & intermittent
 Head lamp, halogen

Safety & Mechanism

Fuel filler lid opener
 Airbag, driver & front passenger (**ABAG3**)
 ABS system (**SKIDC**)
 Power steering, manual tilt
 Seat belt, front: 3-point x 2 & 2-point x 1
 Sliding side door, manual
 Horn, single tone
 High mount stop lamp
 Tachometer & odo-trip meter

Airconditioning & Audio

Air conditioner: Front manual A/C & rear manual cooler (**RCOL2**)
 Audio: 2DIN AM/FM radio, CD player & AUX (**RDIOH**)
 with 2 speakers

Exterior & Tire & wheel

Tire: 195/80R15 size, steel wheel with full cover (**WCOVS**)
 Bumper, front & rear (black)
 Spare tire (full size with steel wheel) with jack

AMBULANCE Standard Equipment

Rotary beacon LED lamp
 Electric siren amplifier, microphone & speaker
 12V electric power outlet x 1
 Linoleum floor
 Frosted glass film
 Main stretcher
 Foldaway stretcher
 First aid kit (Q-type)

Transmission

5-speed manual

Body Color / Upholstery Color

White solid (QM1) / Gray (W)

Interior

Ashtray with light & cigarette lighter, front
 Digital clock
 Seat material, front: fabric
 Sunvisor, driver & front passenger
 Seat type, front: high back with integrated headrest
 Seat, driver: full reclining & slide, manual
 Seat, front passenger: full reclining, manual
 Glove box with lid
 Cup holder x 2, front
 Room lamp x 1, front
 Green glass with UV cut (front screen, front windows)
 Back door inside handle (**OPBK2**)

Others

Owner's manual
 Spare key x 1
 Standard tool set
 Warning triangle
 First aid kit

4-person bench seat
 Medical instrument box
 Attendant seat with 2-point seatbelt
 Hook for intravenous apparatus x 2
 Room lamp for patient compartment x 1
 Back door grip
 Fire extinguisher
 Partition panel with sliding window